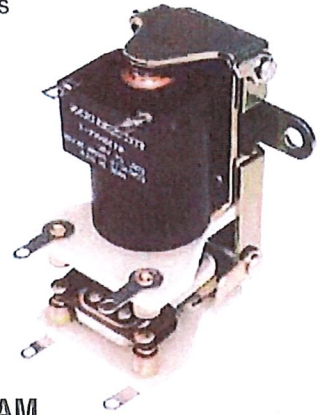


# 158 Series - High Voltage - Open Style SPDT - Double Break / Double Make

For HIGH VOLTAGE. Designed with a unique double make / break contact arrangement the 158 series is capable of switching loads up to 1kVA at 5,000 volts. An extra wide contact gap provides excellent arc resistance between contacts. The double break configuration ensures double gaps achieved at higher speeds than single break contacts to extinguish arcs.



## GENERAL SPECIFICATIONS (@ 25° C)

### Contacts:

Contact Configuration	SPDT-Double Break-Make
Contact Material	Silver Alloy, Gold Flashed
Contact Rating	
Maximum Allowable Contact Load	200mA @ 5,000VDC 1A @ 1,000VDC
Contact Resistance, Initial	100 milliohms max @ 6VDC

### Coil:

Coils Available	DC
Nominal Coil Power	5W
Input Voltage Tolerance - AC	N/A
Input Voltage Tolerance - DC	80% to 110% of nominal
Drop out voltage	10% of nominal
Duty	Continuous

### Timing:

Operate Time (max)	45mS
Release Time (max)	20mS

### Dielectric Strength:

Across Open Contacts	7500 VRMS
Between Mutually Insulated Points	8500 VRMS
Contact to Frame	3000 VRMS
Insulation Resistance	1000 megohms @ 500VDC

### Temperature:

Operating	-40 to +85°C (-40 to +185°F)
Storage	-40 to +105°C (-40 to +221°F)

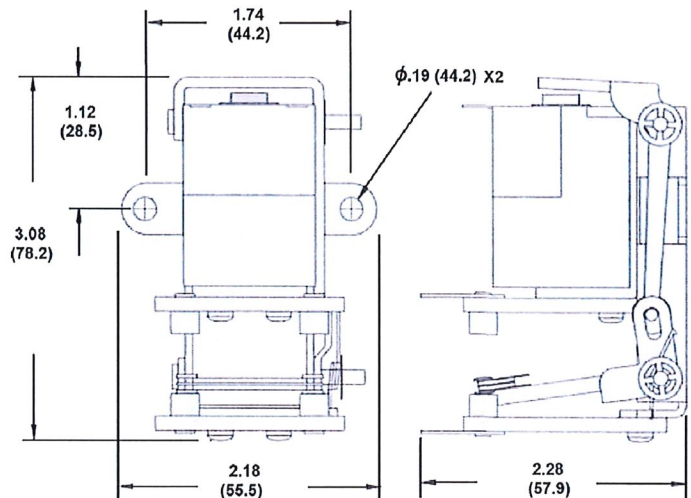
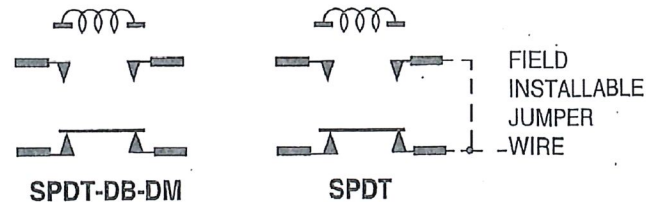
### Life Expectancy:

Electrical (full load operations)	100,000
Mechanical (no load operations)	5,000,000

### Miscellaneous:

Mounting Position	Vertical
Enclosure	Open
Weight	7.5oz (213 grams)

## WIRING DIAGRAM VIEWED FROM PIN END



## 158HVX Part Number

Part numbers	Contact configuration	Nominal input voltage	Nominal resistance (ohms)	Nominal power (Watts)
158HVX-1	SPDT - Double Break/Make	24VDC	120	5
158HVX-2	SPDT - Double Break/Make	110VDC	3000	4
158AHVX-1	SPDT - Double Break/Make	115VAC	800	16